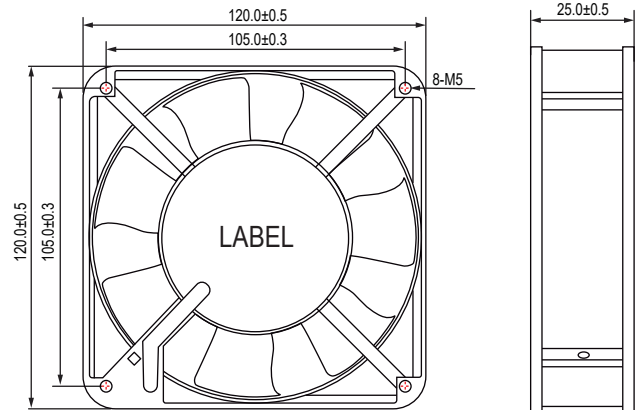


## AC Axial Fan 120x120x25mm(Ver.B)

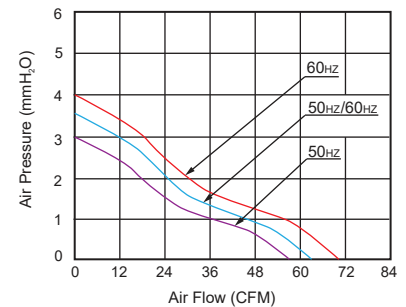
### ■ 尺寸图 (DIMENSION DRAWING)



Unit:mm

- \* 轴承类型:滚珠轴承  
(Bearing type:2-ball)
- \* 材料(Material):  
框(Frame):铝合金Aluminum Alloy  
扇叶(Impeler):PBT(UL94V-0)
- \* 引线(Lead wire):  
UL1430 AWG #22(Optional)
- \* 马达(Motor):罩极马达Shaded pole
- \* 保护(Protection): Impedance protection
- \* 重量(Weight):320g

### ■ 风压&风量曲线图 P and Q CURVE



型号 Model	轴承类型 Bearing Type	电压	频率	电流	功率	转速	风量	风压	噪音
		VAC	Hz	Amp	Watt	RPM	CFM	MM-H <sub>2</sub> O	dBA
CC120A10L(T)	2-Ball	100-120	50/60	0.14/0.13	11.0/10.0	2000/2200	58/62	3.0/3.5	36/38
CC120A20L(T)	2-Ball	220-240	50/60	0.07/0.06	11.0/10.0	2000/2200	58/62	3.0/3.5	36/38
CC120A10L(T)	2-Ball	100-120	50/60	0.16/0.15	14.0/13.0	2200/2400	62/70	3.5/4.0	38/40
CC120A20L(T)	2-Ball	220-240	50/60	0.10/0.09	14.0/13.0	2200/2400	62/70	3.5/4.0	38/40

- \* 以上为额定电压下的常规参数(All readings are typical values at rated voltage)
- \* 规格如有变动不另行通知(Specifications are subjected to change without prior notice)