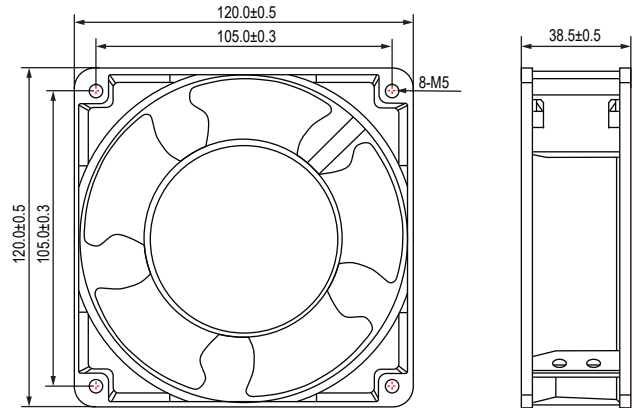


AC Axial Fan 120x120x38mm(Ver.A)

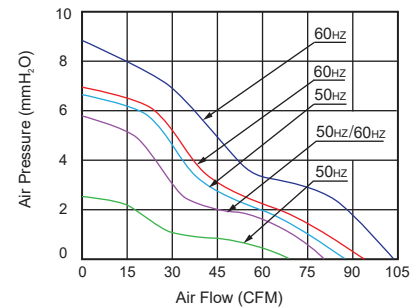
■ 尺寸图 (DIMENSION DRAWING)



Unit:mm

- * 轴承类型:滚珠轴承
(Bearing type:2-ball)
- * 材料(Material):
框 (Frame):铝合金Aluminum Alloy
扇叶 (Impeller):PBT(UL94V-0)
- * 引线(Lead wire):
UL1430 AWG #22(Optional)
- * 马达(Motor):罩极马达Shaded pole
- * 保护(Protection): Impedance protection
- * 重量(Weight):520g

■ 风压&风量曲线图 P and Q CURVE



型号 Model	轴承类型 Bearing Type	电压	频率	电流	功率	转速	风量	风压	噪音
		VAC	Hz	Amp	Watt	RPM	CFM	MM-H ₂ O	dBA
CC120B10L(T)	2-Ball	100-120	50/60	0.12/0.10	11/9	1,800/2,500	66/79	2.5/5.8	34/39
CC120B20L(T)	2-Ball	220-240	50/60	0.06/0.05	12/10	1,800/2,500	66/79	2.5/5.8	34/39
CC120B10L(T)	2-Ball	100-120	50/60	0.17/0.13	14/10	2,500/2,800	79/93	5.8/7.1	39/44
CC120B20L(T)	2-Ball	220-240	50/60	0.09/0.07	16/11	2,500/2,800	79/93	5.8/7.1	39/44
CC120B10L(T)	2-Ball	100-120	50/60	0.28/0.21	25/19	2,600/3,000	85/102	6.6/8.6	43/49
CC120B20L(T)	2-Ball	220-240	50/60	0.13/0.09	16/14	2,600/3,000	85/102	6.6/8.6	43/49
CC120B30L(T)	2-Ball	380	50/60	0.06/0.05	16/14	2,600/3,000	85/102	6.6/8.6	43/49

- * 以上为额定电压下的常规参数(All readings are typical values at rated voltage)
- * 规格如有变动不另行通知(Specifications are subjected to change without prior notice)