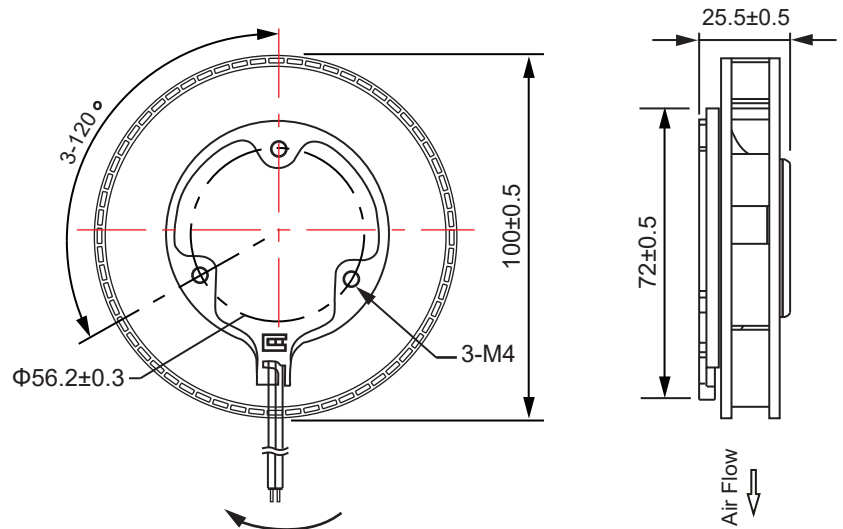


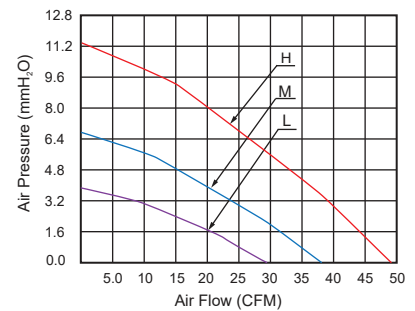
Frameless Blower Φ100x25.5mm

■ 尺寸图 (DIMENSION DRAWING)



Unit:mm

■ 风压&风量曲线图 P and Q CURVE



- * 轴承类型: 双滚珠轴承 (Bearing type:2-Ball)
- * 材料(Material):
支架(Bracket):PPS 叶(Impeller):PBT
- * 引线(Lead wire):
UL2468 AWG #26 or equivalent
红色线正级 Red Wire Positive (+)
黑色线负级 Black Wire Negative (-)
- * 可选择增加风扇功能(Functions are optional)
- * 重量(Weight):120g

型号 Model	轴承类型 Bearing Type	风扇类型 Fan Type	电压 Rated Voltage	电流 Current	功率 Input Power	转速 Speed	风量 Air Flow	风压 Static Pressure	噪音 Noise Level
			VDC	Amp	Watt	RPM	CFM	MM-H ₂ O	dBA
BF10025L12D	2-Ball	Frameless	12	0.18	2.16	3,000±10%	28.2	3.80	41.0
BF10025M12D	2-Ball	Frameless	12	0.40	4.80	4,000±10%	37.5	6.70	49.5
BF10025H12D	2-Ball	Frameless	12	0.80	9.60	5,000±10%	49.0	11.3	56.8
BF10025L24D	2-Ball	Frameless	24	0.10	2.40	3,000±10%	28.2	3.80	41.0
BF10025M24D	2-Ball	Frameless	24	0.20	4.80	4,000±10%	37.5	6.70	49.5
BF10025H24D	2-Ball	Frameless	24	0.40	9.60	5,000±10%	49.0	11.3	56.8

- * 以上为额定电压下的常规参数(All readings are typical values at rated voltage)
- * 规格如有变动不另行通知(Specifications are subjected to change without prior notice)