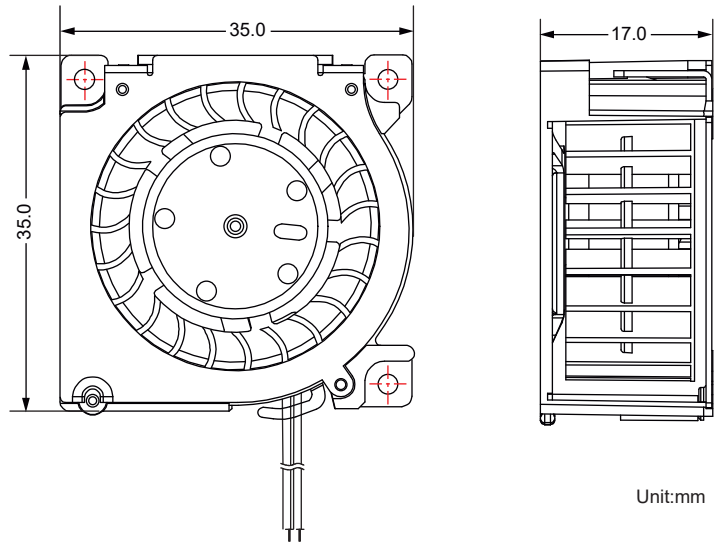


## DC Blower Fan 35x35x17mm

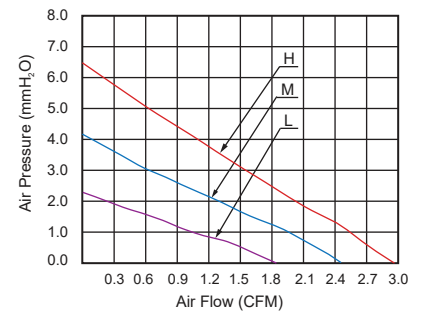
### ■ 尺寸图 (DIMENSION DRAWING)



Unit:mm

- \* 轴承类型: 液压轴承 (Bearing type:Hydraulic)
- \* 材料(Material):  
扇叶(Impeller):PBT  
框(Frame):PBT & Stainless Steel
- \* 引线(Lead wire):  
UL1061 AWG #28 or equivalent  
红色线正级 Red Wire Positive (+)  
黑色线负级 Black Wire Negative (-)
- \* 可选择增加风扇功能(Functions are optional)
- \* 重量(Weight):16g

### ■ 风压&风量曲线图 P and Q CURVE



| 型号<br>Model | 轴承类型<br>Bearing Type | 电压<br>Rated Voltage | 电压范围<br>Operation Voltage | 电流<br>Current | 功率<br>Input Power | 转速<br>Speed | 风量<br>Air Flow | 风压<br>Static Pressure | 噪音<br>Noise Level |
|-------------|----------------------|---------------------|---------------------------|---------------|-------------------|-------------|----------------|-----------------------|-------------------|
|             |                      | VDC                 | VDC                       | Amp           | Watt              | RPM         | CFM            | MM-H <sub>2</sub> O   | dBA               |
| BF3517L05SH | Hydraulic            | 5V                  | 4.5~5.5                   | 0.06          | 0.30              | 4,000±10%   | 1.89           | 2.33                  | 16.7              |
| BF3517M05SH | Hydraulic            | 5V                  | 4.5~5.5                   | 0.10          | 0.50              | 5,000±10%   | 2.45           | 4.25                  | 22.4              |
| BF3517H05SH | Hydraulic            | 5V                  | 4.5~5.5                   | 0.13          | 0.65              | 6,000±10%   | 2.95           | 6.44                  | 27.6              |
| BF3517L12SH | Hydraulic            | 12V                 | 10.8~13.2                 | 0.05          | 0.60              | 4,000±10%   | 1.90           | 2.33                  | 16.7              |
| BF3517M12SH | Hydraulic            | 12V                 | 10.8~13.2                 | 0.07          | 0.84              | 5,000±10%   | 2.45           | 4.25                  | 22.4              |
| BF351712SH  | Hydraulic            | 12V                 | 10.8~13.2                 | 0.10          | 1.20              | 6,000±10%   | 2.95           | 6.44                  | 27.6              |

- \* 以上为额定电压下的常规参数(All readings are typical values at rated voltage)
- \* 规格如有变动不另行通知(Specifications are subjected to change without prior notice)