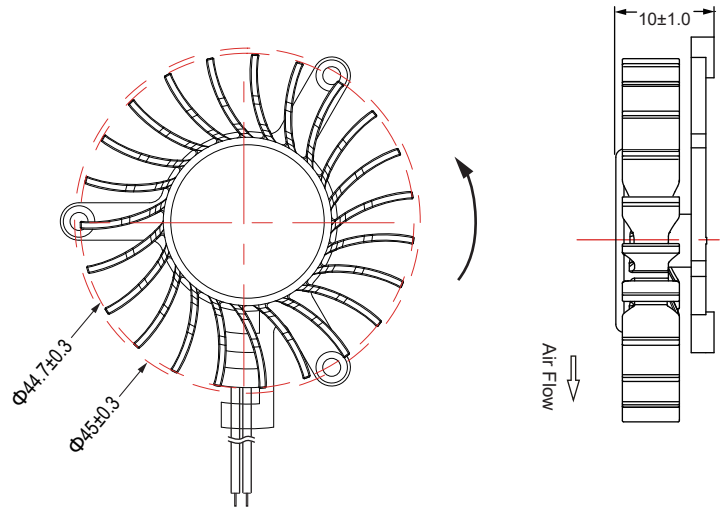


Frameless Blower Φ45x10mm

■ 尺寸图 (DIMENSION DRAWING)



Unit:mm

- * 轴承类型: 含油轴承, 双滚珠轴承
(Bearing type:Sleeve,2-Ball)
- * 材料(Material):
支架(Bracket):PBT 叶(Impeller):PBT
- * 引线(Lead wire):
UL1061 AWG #26 or equivalent
红色线正级 Red Wire Positive (+)
黑色线负级 Black Wire Negative (-)
- * 可选择增加风扇功能(Functions are optional)
- * 重量(Weight):11.0g

型号 Model	轴承类型 Bearing Type	风扇类型 Fan Type	电压 Rated Voltage	电流 Current	功率 Input Power	转速 Speed	风量 Air Flow	风压 Static Pressure	噪音 Noise Level
			VDC	Amp	Watt	RPM	CFM	MM-H ₂ O	dBA
BF5010L05S	Sleeve	Frameless	5V	0.08	0.40	3,000±10%	---	---	21.6
BF5010L05D	2-Ball								
BF5010M05S	Sleeve	Frameless	5V	0.19	0.95	3,500±10%	---	---	26.3
BF5010M05D	2-Ball								
BF5010H05S	Sleeve	Frameless	5V	0.35	1.75	4,000±10%	---	---	30.2
BF5010H05D	2-Ball								
BF5010L12S	Sleeve	Frameless	12V	0.05	0.60	3,000±10%	---	---	21.6
BF5010L12D	2-Ball								
BF5010M12S	Sleeve	Frameless	12V	0.13	1.56	4,000±10%	---	---	30.2
BF5010M12D	2-Ball								
BF5010H12S	Sleeve	Frameless	12V	0.20	2.40	5,000±10%	---	---	32.6
BF5010H12D	2-Ball								

- * 以上为额定电压下的常规参数(All readings are typical values at rated voltage)
- * 规格如有变动不另行通知(Specifications are subjected to change without prior notice)