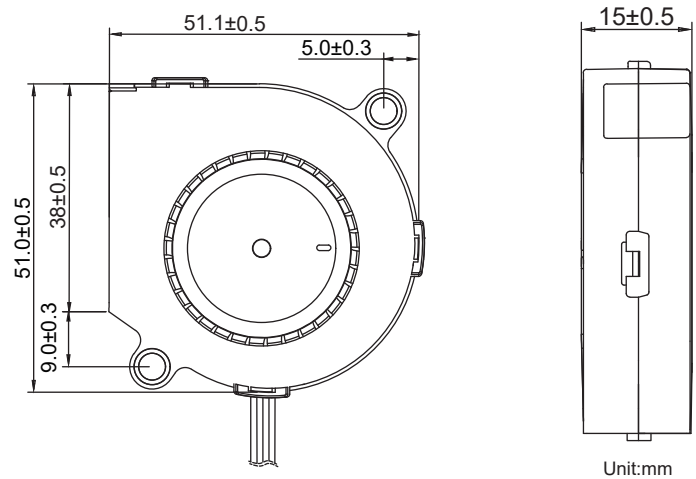


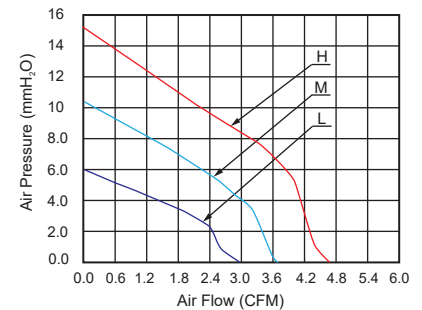
DC Blower Fan 51x51x15mm

■ 尺寸图 (DIMENSION DRAWING)



- * 轴承类型: 液压轴承, FDB轴承 (Bearing type: Hydraulic, 2-Ball)
- * 材料(Material):
扇叶(Impeller): PBT
框(Frame): PBT
- * 引线(Lead wire):
UL1061 AWG #26 or equivalent
红色线正级 Red Wire Positive (+)
黑色线负级 Black Wire Negative (-)
- * 可选择增加风扇功能(Functions are optional)
- * 重量(Weight): 27g

■ 风压&风量曲线图 P and Q CURVE

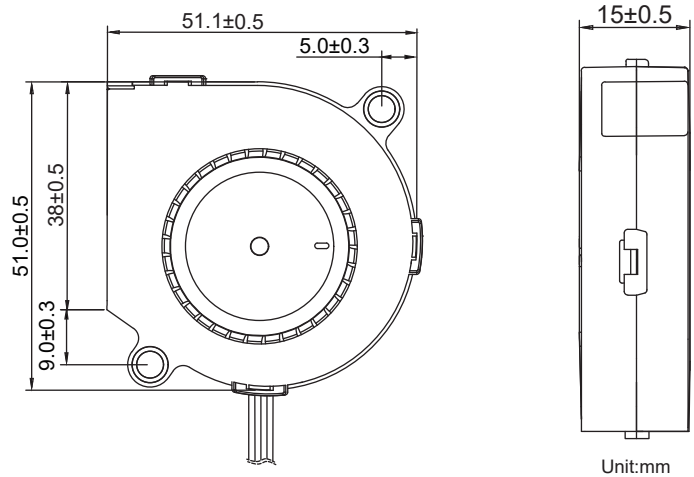


| 型号 Model | 轴承类型 Bearing Type | 版本 Version | 电压 Rated Voltage | 电流 Current | 功率 Input Power | 转速 Speed | 风量 Air Flow | 风压 Static Pressure | 噪音 Noise Level |
|-------------|----------------------|---------------|---------------------|---------------|-------------------|-------------|----------------|-----------------------|-------------------|
| | | | VDC | Amp | Watt | RPM | CFM | MM-H ₂ O | dBA |
| BF5015L05SH | Hydraulic | -B | 5V | 0.08 | 0.40 | 4,000±10% | 2.90 | 6.00 | 31.0 |
| BF5015L05D | 2-Ball | | | | | | | | |
| BF5015M05SH | Hydraulic | -B | 5V | 0.14 | 0.70 | 5,000±10% | 3.70 | 10.3 | 37.0 |
| BF5015M05D | 2-Ball | | | | | | | | |
| BF5015H05SH | Hydraulic | -B | 5V | 0.30 | 1.50 | 6,000±10% | 4.50 | 15.5 | 43.0 |
| BF5015H05D | 2-Ball | | | | | | | | |
| BF5015L12SH | Hydraulic | -B | 12V | 0.05 | 0.60 | 4,000±10% | 2.90 | 6.00 | 31.0 |
| BF5015L12D | 2-Ball | | | | | | | | |
| BF5015M12SH | Hydraulic | -B | 12V | 0.08 | 1.00 | 5,000±10% | 3.70 | 10.3 | 37.0 |
| BF5015M12D | 2-Ball | | | | | | | | |
| BF5015H12SH | Hydraulic | -B | 12V | 0.15 | 1.80 | 6,000±10% | 4.50 | 15.5 | 43.0 |
| BF5015H12D | 2-Ball | | | | | | | | |

- * 以上为额定电压下的常规参数(All readings are typical values at rated voltage)
- * 规格如有变动不另行通知(Specifications are subjected to change without prior notice)

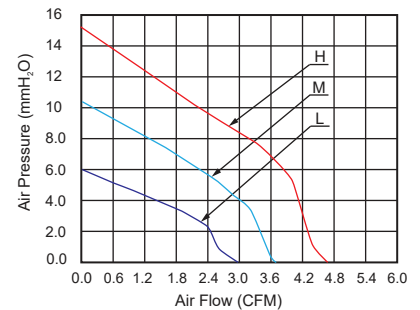
DC Blower Fan 51x51x15mm

■ 尺寸图 (DIMENSION DRAWING)



- * 轴承类型: 液压轴承, FDB轴承 (Bearing type: Hydraulic, 2-Ball)
- * 材料(Material):
扇叶(Impeller): PBT
框(Frame): PBT
- * 引线(Lead wire):
UL1061 AWG #26 or equivalent
红色线正级 Red Wire Positive (+)
黑色线负级 Black Wire Negative (-)
- * 可选择增加风扇功能(Functions are optional)
- * 重量(Weight): 27g

■ 风压&风量曲线图 P and Q CURVE



| 型号 Model | 轴承类型 Bearing Type | 版本 Version | 电压 Rated Voltage | 电流 Current | 功率 Input Power | 转速 Speed | 风量 Air Flow | 风压 Static Pressure | 噪音 Noise Level |
|-------------|----------------------|---------------|---------------------|---------------|-------------------|-------------|----------------|-----------------------|-------------------|
| | | | VDC | Amp | Watt | RPM | CFM | MM-H ₂ O | dBA |
| BF5015L24SH | Hydraulic | -B | 24V | 0.03 | 0.72 | 4,000±10% | 2.90 | 6.00 | 31.0 |
| BF5015L24D | 2-Ball | | | | | | | | |
| BF5015M24SH | Hydraulic | -B | 24V | 0.05 | 1.20 | 5,000±10% | 3.70 | 10.3 | 37.0 |
| BF5015M24D | 2-Ball | | | | | | | | |
| BF5015H24SH | Hydraulic | -B | 24V | 0.08 | 1.92 | 6,000±10% | 4.50 | 15.5 | 43.0 |
| BF5015H24D | 2-Ball | | | | | | | | |

- * 以上为额定电压下的常规参数(All readings are typical values at rated voltage)
- * 规格如有变动不另行通知(Specifications are subjected to change without prior notice)