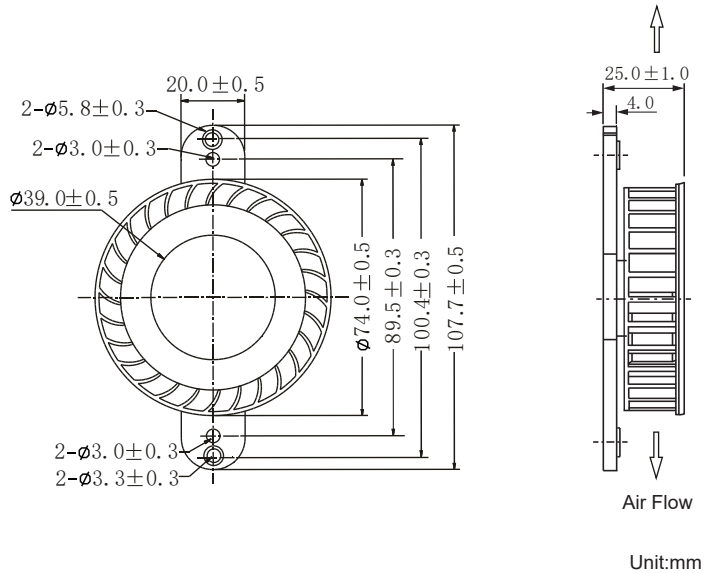


## Frameless Blower Φ74x25mm

### ■ 尺寸图 (DIMENSION DRAWING)



- \* 轴承类型: 含油轴承, 双滚珠轴承 (Bearing type:Sleeve,2-Ball)
- \* 材料(Material):  
支架(Bracket):PBT 叶(Impeller):PBT
- \* 引线(Lead wire):  
UL2468 AWG #26 or equivalent  
红色线正级 Red Wire Positive (+)  
黑色线负级 Black Wire Negative (-)
- \* 可选择增加风扇功能(Functions are optional)
- \* 重量(Weight):50.0g

| 型号<br>Model | 轴承类型<br>Bearing Type | 风扇类型<br>Fan Type | 电压<br>Rated Voltage | 电流<br>Current | 功率<br>Input Power | 转速<br>Speed     | 风量<br>Air Flow | 风压<br>Static Pressure | 噪音<br>Noise Level |
|-------------|----------------------|------------------|---------------------|---------------|-------------------|-----------------|----------------|-----------------------|-------------------|
|             |                      |                  | VDC                 | Amp           | Watt              | RPM             | CFM            | MM-H <sub>2</sub> O   | dBA               |
| BF7525L05S  | Sleeve               | Frameless        | 5V                  | 0.20          | 1.00              | 1,500 $\pm$ 10% | ---            | ---                   | 20.0              |
| BF7525L05D  | 2-Ball               |                  |                     |               |                   |                 |                |                       |                   |
| BF7525M05S  | Sleeve               | Frameless        | 5V                  | 0.30          | 1.50              | 2,000 $\pm$ 10% | ---            | ---                   | 25.0              |
| BF7525M05D  | 2-Ball               |                  |                     |               |                   |                 |                |                       |                   |
| BF7525H05S  | Sleeve               | Frameless        | 5V                  | 0.40          | 2.00              | 2,500 $\pm$ 10% | ---            | ---                   | 31.5              |
| BF7525H05D  | 2-Ball               |                  |                     |               |                   |                 |                |                       |                   |
| BF7525L12S  | Sleeve               | Frameless        | 12V                 | 0.12          | 1.44              | 2,500 $\pm$ 10% | ---            | ---                   | 31.5              |
| BF7525L12D  | 2-Ball               |                  |                     |               |                   |                 |                |                       |                   |
| BF7525M12S  | Sleeve               | Frameless        | 12V                 | 0.23          | 2.76              | 3,000 $\pm$ 10% | ---            | ---                   | 35.6              |
| BF7525M12D  | 2-Ball               |                  |                     |               |                   |                 |                |                       |                   |
| BF7525H12S  | Sleeve               | Frameless        | 12V                 | 0.32          | 3.84              | 3,500 $\pm$ 10% | ---            | ---                   | 40.0              |
| BF7525H12D  | 2-Ball               |                  |                     |               |                   |                 |                |                       |                   |

- \* 以上为额定电压下的常规参数(All readings are typical values at rated voltage)
- \* 规格如有变动不另行通知(Specifications are subjected to change without prior notice)