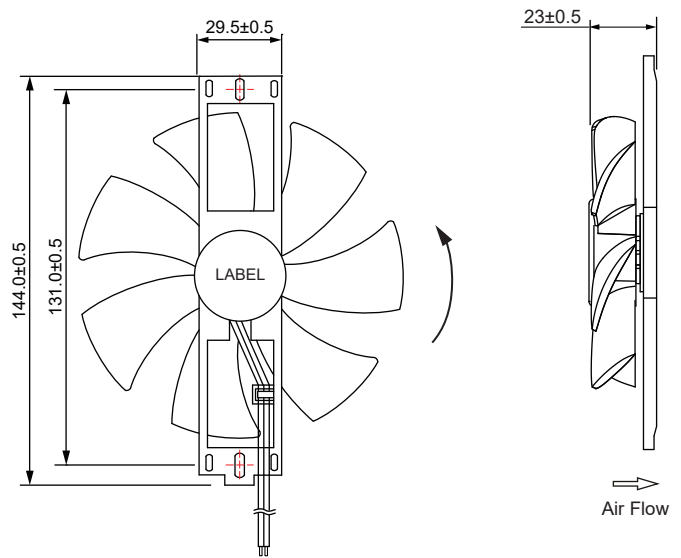
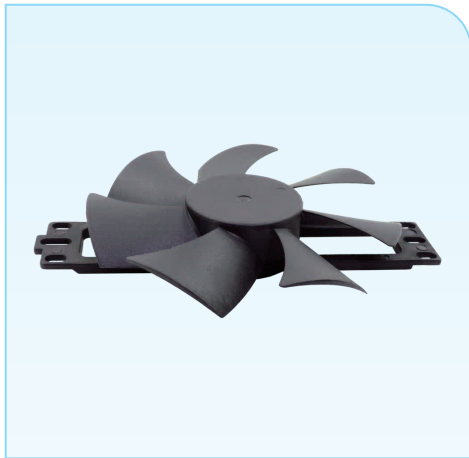


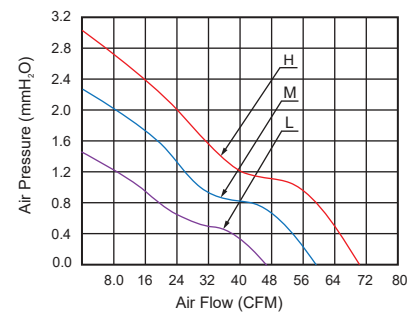
Frameless Fan Φ110x144x23mm

■ 尺寸图 (DIMENSION DRAWING)



Unit:mm

■ 风压&风量曲线图 P and Q CURVE



- * 轴承类型: 含油轴承, 双滚珠轴承 (Bearing type:Sleeve,2-Ball)
- * 材料(Material):
支架(Bracket):PBT 叶(Blade):PBT
- * 引线(Lead wire):
UL2468 AWG #26 or equivalent
红色线正级 Red Wire Positive (+)
黑色线负级 Black Wire Negative (-)
- * 可选择增加风扇功能(Functions are optional)
- * 重量(Weight):69.0g

型号 Model	轴承类型 Bearing Type	风扇类型 Fan Type	版本 Version	电压 Rated Voltage	电流 Current	转速 Speed	风量 Air Flow	风压 Static Pressure	噪音 Noise Level
				VDC	Amp	RPM	CFM	MM-H ₂ O	dBA
CC12025L12S	Sleeve	Frameless	-A	12V	0.11	1,400±10%	46.0	1.40	26.0
CC12025L12D	2-Ball								
CC12025M12S	Sleeve	Frameless	-A	12V	0.16	1,800±10%	58.0	2.20	30.0
CC12025M12D	2-Ball								
CC12025H12S	Sleeve	Frameless	-A	12V	0.25	2,200±10%	70.0	3.00	34.0
CC12025H12D	2-Ball								
CC12025L18S	Sleeve	Frameless	-A	18V	0.08	1,400±10%	46.0	1.40	26.0
CC12025L18D	2-Ball								
CC12025M18S	Sleeve	Frameless	-A	18V	0.10	1,800±10%	58.0	2.20	30.0
CC12025M18D	2-Ball								
CC12025H18S	Sleeve	Frameless	-A	18V	0.15	2,200±10%	70.0	3.00	34.0
CC12025H18D	2-Ball								

- * 以上为额定电压下的常规参数(All readings are typical values at rated voltage)
- * 规格如有变动不另行通知(Specifications are subjected to change without prior notice)