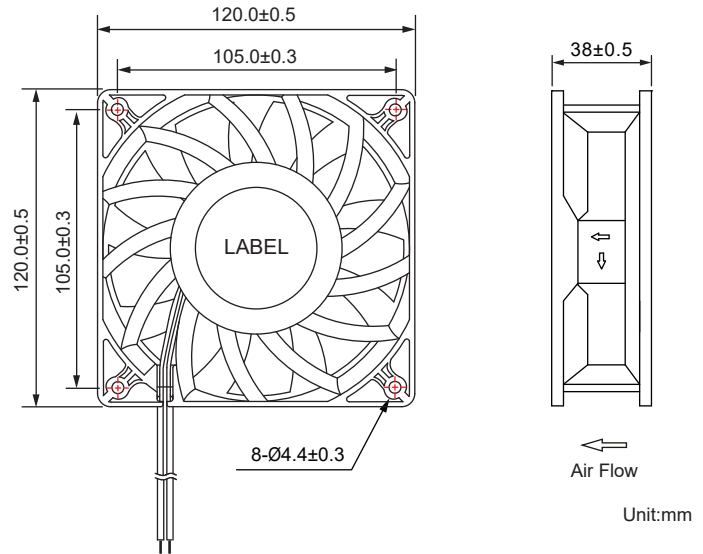


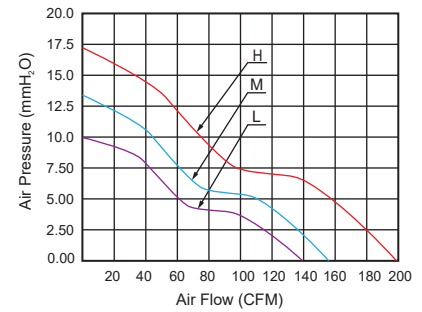
## DC Axial Fan 120x120x38mm

### ■ 尺寸图 (DIMENSION DRAWING)



- \* 轴承类型: 双滚珠轴承 (Bearing type:2-Ball)
- \* 材料(Material):  
框叶(Frame & Impeller):PBT
- \* 引线(Lead wire):  
UL2468 AWG #26 or equivalent  
红色线正级 Red Wire Positive (+)  
黑色线负级 Black Wire Negative (-)
- \* 可选择增加风扇功能(Functions are optional)
- \* 重量(Weight):290g

### ■ 风压&风量曲线图 P and Q CURVE



| 型号<br>Model | 轴承类型<br>Bearing Type | 版本<br>Version | 电压<br>Rated Voltage | 电流<br>Current | 功率<br>Input Power | 转速<br>Speed | 风量<br>Air Flow | 风压<br>Static Pressure | 噪音<br>Noise Level |
|-------------|----------------------|---------------|---------------------|---------------|-------------------|-------------|----------------|-----------------------|-------------------|
|             |                      |               | VDC                 | Amp           | Watt              | RPM         | CFM            | MM-H <sub>2</sub> O   | dBA               |
| CC12038L12D | 2-Ball               | -B            | 12V                 | 0.85          | 10.2              | 3,000±10%   | 140.0          | 10.0                  | 50.0              |
| CC12038M12D | 2-Ball               | -B            | 12V                 | 1.20          | 14.4              | 3,500±10%   | 152.2          | 13.7                  | 55.0              |
| CC12038H12D | 2-Ball               | -B            | 12V                 | 1.70          | 20.4              | 4,000±10%   | 193.5          | 17.0                  | 59.0              |
| CC12038L24D | 2-Ball               | -B            | 24V                 | 0.40          | 9.60              | 3,000±10%   | 140.0          | 10.0                  | 50.0              |
| CC12038M24D | 2-Ball               | -B            | 24V                 | 0.60          | 14.4              | 3,500±10%   | 152.2          | 13.7                  | 55.0              |
| CC12038H24D | 2-Ball               | -B            | 24V                 | 1.15          | 27.6              | 4,000±10%   | 193.5          | 17.0                  | 59.0              |

- \* 以上为额定电压下的常规参数(All readings are typical values at rated voltage)
- \* 规格如有变动不另行通知(Specifications are subjected to change without prior notice)