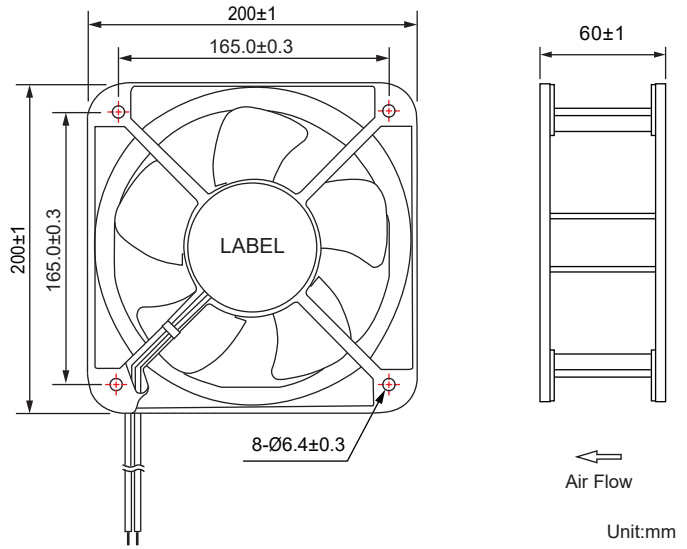


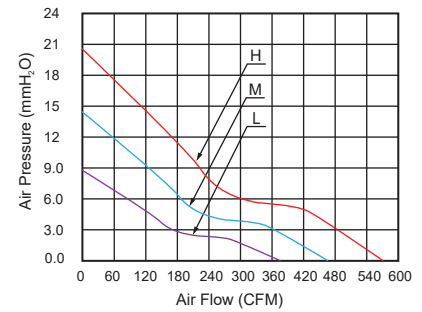
## DC Axial Fan 200x200x60mm

### ■ 尺寸图 (DIMENSION DRAWING)



- \* 轴承类型: 双滚珠轴承 (Bearing type: 2-Ball)
- \* 材料(Material):  
框(Frame): Aluminium Alloy, painted black  
叶(Impeller): PBT
- \* 引线(Lead wire):  
UL2468 AWG #22 or equivalent  
红色线正级 Red Wire Positive (+)  
黑色线负级 Black Wire Negative (-)
- \* 可选择增加风扇功能(Functions are optional)
- \* 重量(Weight): 1030g

### ■ 风压&风量曲线图 P and Q CURVE



型号 Model	轴承类型 Bearing Type	电压 Rated Voltage	电压范围 Operation Voltage	电流 Current	功率 Input Power	转速 Speed	风量 Air Flow	风压 Static Pressure	噪音 Noise Level
		VDC	VDC	Amp	Watt	RPM	CFM	MM-H <sub>2</sub> O	dBA
CC20060L24D	2-Ball	24V	21.6~26.4	1.00	24.0	2,000±10%	373	8.90	53.0
CC20060M24D	2-Ball	24V	21.6~26.4	1.50	36.0	2,500±10%	468	14.2	60.0
CC20060H24D	2-Ball	24V	21.6~26.4	2.50	60.0	3,000±10%	560	20.8	66.0
CC20060L48D	2-Ball	48V	43.2~52.8	0.50	24.0	2,000±10%	373	8.90	53.0
CC20060M48D	2-Ball	48V	43.2~52.8	0.80	38.4	2,500±10%	468	14.2	60.0
CC20060H48D	2-Ball	48V	43.2~52.8	1.20	57.6	3,000±10%	560	20.8	66.0

- \* 以上为额定电压下的常规参数(All readings are typical values at rated voltage)
- \* 规格如有变动不另行通知(Specifications are subjected to change without prior notice)