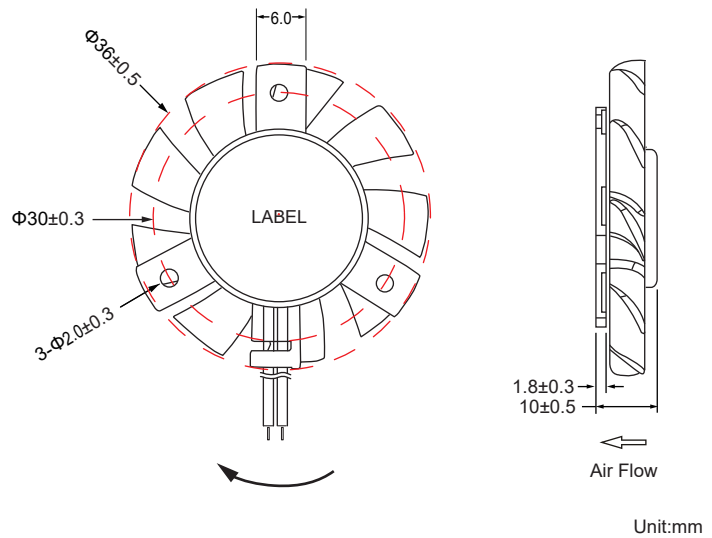
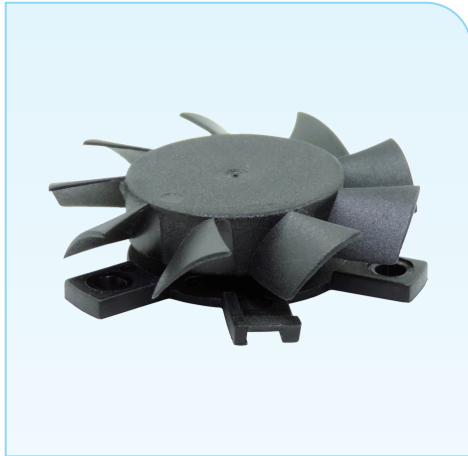
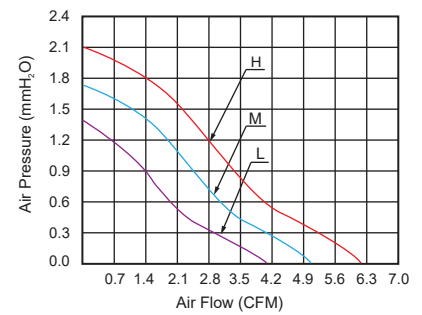


## Frameless Fan $\Phi 36 \times 10 \text{ MM}$

### ■ 尺寸图 (DIMENSION DRAWING)



### ■ 风压&风量曲线图 P and Q CURVE



- \* 轴承类型: 含油轴承, 双滚珠轴承, 液压轴承 (Bearing type:Sleeve,2-Ball,Hydraulic)
- \* 材料(Material):  
框叶(Frame & Impeler):PBT
- \* 引线(Lead wire):  
UL2468 AWG #26 or equivalent  
红色线正级 Red Wire Positive (+)  
黑色线负级 Black Wire Negative (-)
- \* 可选择增加风扇功能(Functions are optional)
- \* 重量(Weight):9.0g

型号 Model	轴承类型 Bearing Type	风扇类型 Fan Type	版本 Version	电压 Rated Voltage	电流 Current	转速 Speed	风量 Air Flow	风压 Static Pressure	噪音 Noise Level
				VDC	Amp	RPM	CFM	MM-H <sub>2</sub> O	dBA
CC4010L05S	Sleeve	Frameless	-B	5V	0.10	4,000±10%	4.10	1.40	21.0
CC4010L05D	2-Ball								
CC4010L05SH	Hydraulic								
CC4010M05S	Sleeve	Frameless	-B	5V	0.13	5,000±10%	5.10	1.70	24.0
CC4010M05D	2-Ball								
CC4010M05SH	Hydraulic								
CC4010H05S	Sleeve	Frameless	-B	5V	0.16	6,000±10%	6.10	2.10	28.0
CC4010H05D	2-Ball								
CC4010H05SH	Hydraulic								
CC4010L12S	Sleeve	Frameless	-B	12V	0.04	4,000±10%	4.10	1.40	21.0
CC4010L12D	2-Ball								
CC4010L12SH	Hydraulic								
CC4010M12S	Sleeve	Frameless	-B	12V	0.06	5,000±10%	5.10	1.70	24.0
CC4010M12D	2-Ball								
CC4010M12SH	Hydraulic								
CC4010H12S	Sleeve	Frameless	-B	12V	0.07	6,000±10%	6.10	2.10	28.0
CC4010H12D	2-Ball								
CC4010H12SH	Hydraulic								

- \* 以上为额定电压下的常规参数(All readings are typical values at rated voltage)
- \* 规格如有变动不另行通知(Specifications are subjected to change without prior notice)