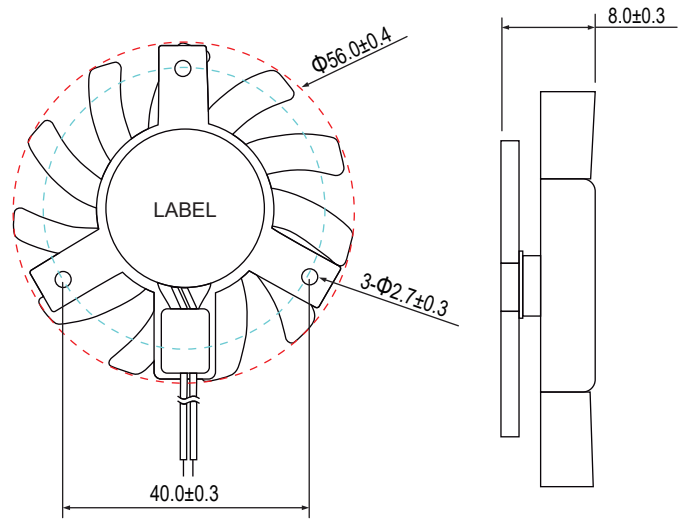


Frameless Fan $\Phi 56 \times 8 \text{mm}$

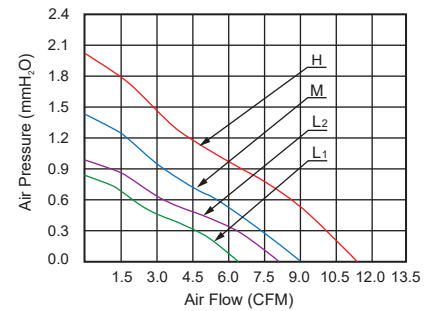
■ 尺寸图 (DIMENSION DRAWING)



Unit:mm

- * 轴承类型: 液压轴承 (Bearing type: Hydraulic)
- * 材料 (Material):
框叶 (Frame & Impeller): PBT
- * 引线 (Lead wire):
UL2468 AWG #28 or equivalent
红色线正级 Red Wire Positive (+)
黑色线负级 Black Wire Negative (-)
- * 可选择增加风扇功能 (Functions are optional)
- * 重量 (Weight): 13g

■ 风压 & 风量曲线图 P and Q CURVE



型号 Model	轴承类型 Bearing Type	风扇类型 Fan Type	电压 Rated Voltage	电流 Current	功率 Input Power	转速 Speed	风量 Air Flow	风压 Static Pressure	噪音 Noise Level
			VDC	Amp	Watt	RPM	CFM	MM-H ₂ O	dB-A
CC6008L05SH	Hydraulic	Frameless	5V	0.10	0.50	2000±10%	6.20	0.85	18.0
CC6008M05SH	Hydraulic	Frameless	5V	0.20	1.00	3000±10%	9.00	1.40	25.0
CC6008H05SH	Hydraulic	Frameless	5V	0.28	1.40	3500±10%	11.00	1.90	28.0
CC6008L12SH	Hydraulic	Frameless	12V	0.06	0.72	2500±10%	7.70	1.00	20.0
CC6008M12SH	Hydraulic	Frameless	12V	0.10	1.20	3000±10%	9.00	1.40	25.0
CC6008H12SH	Hydraulic	Frameless	12V	0.14	1.68	3500±10%	11.00	1.90	28.0
CC6008L24SH	Hydraulic	Frameless	24V	0.04	0.96	2500±10%	7.70	1.00	20.0
CC6008M24SH	Hydraulic	Frameless	24V	0.06	1.44	3000±10%	9.00	1.40	25.0
CC6008H24SH	Hydraulic	Frameless	24V	0.08	1.92	3500±10%	11.00	1.90	28.0

- * 以上为额定电压下的常规参数 (All readings are typical values at rated voltage)
- * 规格如有变动不另行通知 (Specifications are subjected to change without prior notice)