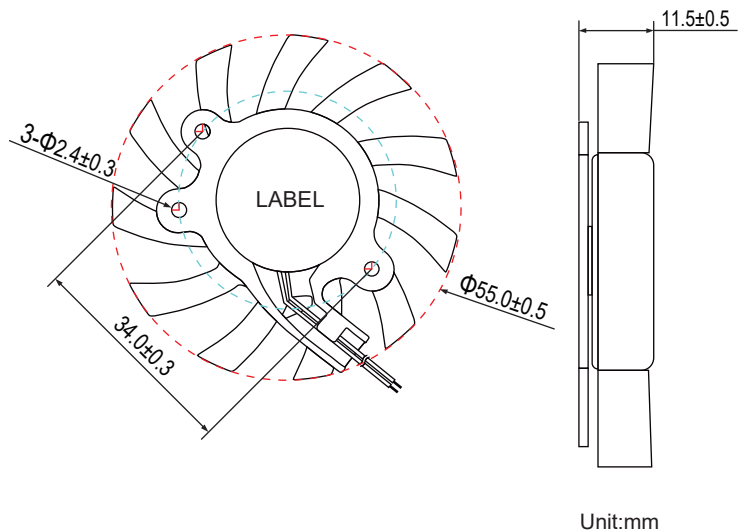


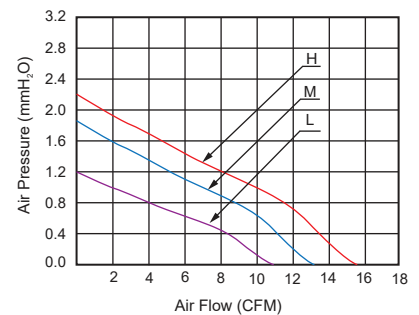
## Frameless Fan $\Phi 55 \times 11.5 \text{mm}$

### ■ 尺寸图 (DIMENSION DRAWING)



- \* 轴承类型: 含油轴承, 双滚珠轴承 (Bearing type: Sleeve, 2-Ball)
- \* 材料 (Material):  
框叶 (Frame & Impeller): PBT
- \* 引线 (Lead wire):  
UL2468 AWG #28 or equivalent  
红色线正级 Red Wire Positive (+)  
黑色线负级 Black Wire Negative (-)
- \* 可选择增加风扇功能 (Functions are optional)
- \* 重量 (Weight): 13g

### ■ 风压&风量曲线图 P and Q CURVE

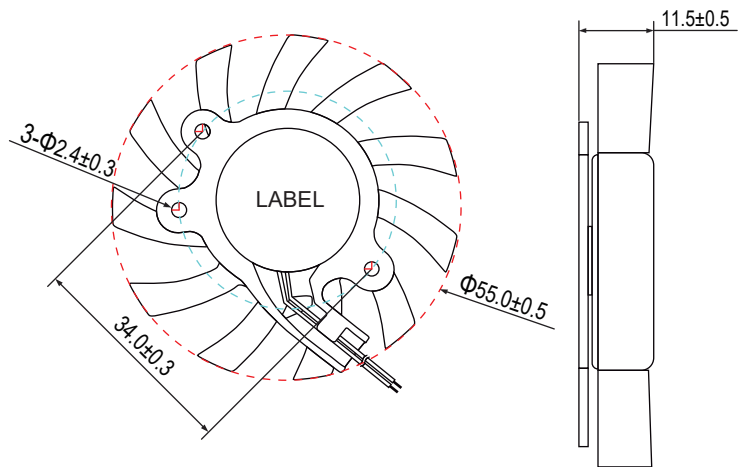


型号 Model	轴承类型 Bearing Type	风扇类型 Fan Type	版本 Version	电压 Rated Voltage	电流 Current	转速 Speed	风量 Air Flow	风压 Static Pressure	噪音 Noise Level
				VDC	Amp	RPM	CFM	MM-H <sub>2</sub> O	dBA
CC6010L05S	Sleeve	Frameless	-B	5V	0.18	3,000±10%	11.00	1.20	22.0
CC6010L05D	2-Ball								
CC6010M05S	Sleeve	Frameless	-B	5V	0.23	3,500±10%	13.00	1.80	25.0
CC6010M05D	2-Ball								
CC6010H05S	Sleeve	Frameless	-B	5V	0.30	4,000±10%	15.50	2.20	28.0
CC6010H05D	2-Ball								
CC6010L12S	Sleeve	Frameless	-B	12V	0.08	3,000±10%	11.00	1.20	22.0
CC6010L12D	2-Ball								
CC6010M12S	Sleeve	Frameless	-B	12V	0.10	3,500±10%	13.00	1.80	25.0
CC6010M12D	2-Ball								
CC6010H12S	Sleeve	Frameless	-B	12V	0.13	4,000±10%	15.50	2.20	28.0
CC6010H12D	2-Ball								

- \* 以上为额定电压下的常规参数 (All readings are typical values at rated voltage)
- \* 规格如有变动不另行通知 (Specifications are subjected to change without prior notice)

## Frameless Fan $\Phi 55 \times 11.5 \text{mm}$

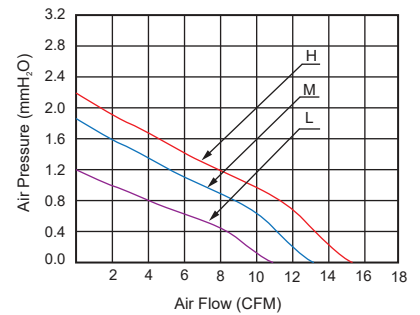
### ■ 尺寸图 (DIMENSION DRAWING)



Unit:mm

- \* 轴承类型: 含油轴承, 双滚珠轴承 (Bearing type:Sleeve,2-Ball)
- \* 材料(Material):  
框叶(Frame & Impeler):PBT
- \* 引线(Lead wire):  
UL2468 AWG #28 or equivalent  
红色线正级 Red Wire Positive (+)  
黑色线负级 Black Wire Negative (-)
- \* 可选择增加风扇功能(Functions are optional)
- \* 重量(Weight):13g

### ■ 风压&风量曲线图 P and Q CURVE



型号 Model	轴承类型 Bearing Type	风扇类型 Fan Type	版本 Version	电压 Rated Voltage	电流 Current	转速 Speed	风量 Air Flow	风压 Static Pressure	噪音 Noise Level
				VDC	Amp	RPM	CFM	MM-H <sub>2</sub> O	dBA
CC6010L24S	Sleeve	Frameless	-B	24V	0.04	3,000±10%	11.00	1.20	22.0
CC6010L24D	2-Ball								
CC6010M24S	Sleeve	Frameless	-B	24V	0.05	3,500±10%	13.00	1.80	25.0
CC6010M24D	2-Ball								
CC6010H24S	Sleeve	Frameless	-B	24V	0.06	4,000±10%	15.50	2.20	28.0
CC6010H24D	2-Ball								

- \* 以上为额定电压下的常规参数(All readings are typical values at rated voltage)
- \* 规格如有变动不另行通知(Specifications are subjected to change without prior notice)