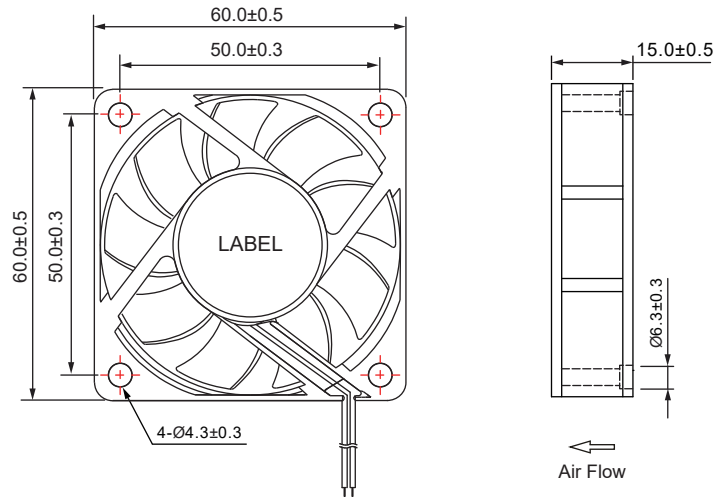


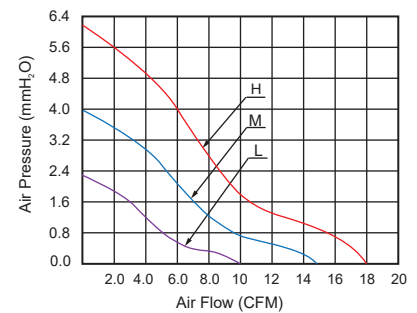
DC Axial Fan 60x60x15mm

■ 尺寸图 (DIMENSION DRAWING)



- * 轴承类型: 含油轴承, 双滚珠轴承, 液压轴承 (Bearing type: Sleeve, 2-Ball, Hydraulic)
- * 材料(Material):
框叶(Frame & Impeller): PBT
- * 引线(Lead wire):
UL2468 AWG #26 or equivalent
红色线正级 Red Wire Positive (+)
黑色线负级 Black Wire Negative (-)
- * 可选择增加风扇功能(Functions are optional)
- * 重量(Weight): 34.0g

■ 风压&风量曲线图 P and Q CURVE



| 型号 Model | 轴承类型 Bearing Type | 电压 Rated Voltage | 电压范围 Operation Voltage | 电流 Current | 功率 Input Power | 转速 Speed | 风量 Air Flow | 风压 Static Pressure | 噪音 Noise Level |
|-------------|----------------------|---------------------|---------------------------|---------------|-------------------|-------------|----------------|-----------------------|-------------------|
| | | VDC | VDC | Amp | Watt | RPM | CFM | MM-H ₂ O | dBA |
| CC6015L05S | Sleeve | 5V | 4.5~5.5 | 0.15 | 0.75 | 3,000±10% | 10.00 | 2.30 | 23.0 |
| CC6015L05D | 2-Ball | | | | | | | | |
| CC6015L05SH | Hydraulic | | | | | | | | |
| CC6015M05S | Sleeve | 5V | 4.5~5.5 | 0.20 | 1.00 | 4,000±10% | 14.50 | 4.00 | 29.5 |
| CC6015M05D | 2-Ball | | | | | | | | |
| CC6015M05SH | Hydraulic | | | | | | | | |
| CC6015H05S | Sleeve | 5V | 4.5~5.5 | 0.38 | 1.90 | 5,000±10% | 18.00 | 6.00 | 36.0 |
| CC6015H05D | 2-Ball | | | | | | | | |
| CC6015H05SH | Hydraulic | | | | | | | | |
| CC6015L12S | Sleeve | 12V | 10.8~13.2 | 0.05 | 0.60 | 3,000±10% | 10.00 | 2.30 | 23.0 |
| CC6015L12D | 2-Ball | | | | | | | | |
| CC6015L12SH | Hydraulic | | | | | | | | |
| CC6015M12S | Sleeve | 12V | 10.8~13.2 | 0.10 | 1.20 | 4,000±10% | 14.50 | 4.00 | 29.5 |
| CC6015M12D | 2-Ball | | | | | | | | |
| CC6015M12SH | Hydraulic | | | | | | | | |
| CC6015H12S | Sleeve | 12V | 10.8~13.2 | 0.20 | 2.40 | 5,000±10% | 18.00 | 6.00 | 36.0 |
| CC6015H12D | 2-Ball | | | | | | | | |
| CC6015H12SH | Hydraulic | | | | | | | | |

- * 以上为额定电压下的常规参数(All readings are typical values at rated voltage)
- * 规格如有变动不另行通知(Specifications are subjected to change without prior notice)