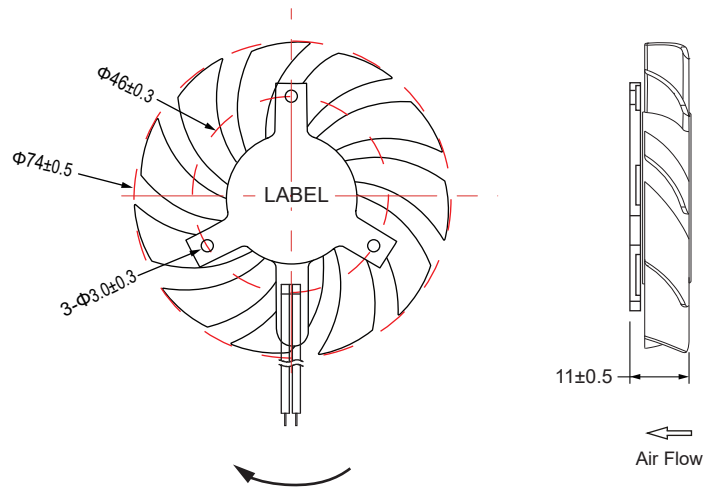


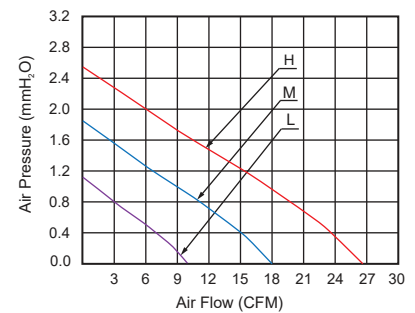
## Frameless Fan $\Phi 74 \times 11 \text{mm}$

### ■ 尺寸图 (DIMENSION DRAWING)



Unit:mm

### ■ 风压&风量曲线图 P and Q CURVE



- \* 轴承类型: 含油轴承, 双滚珠轴承 (Bearing type:Sleeve,2-Ball)
- \* 材料(Material):  
支架(Bracket):PBT 叶(Blade):PBT
- \* 引线(Lead wire):  
UL1061 AWG #26 or equivalent  
红色线正级 Red Wire Positive (+)  
黑色线负级 Black Wire Negative (-)
- \* 可选择增加风扇功能(Functions are optional)
- \* 重量(Weight):17.0g

型号 Model	轴承类型 Bearing Type	风扇类型 Fan Type	版本 Version	电压 Rated Voltage	电流 Current	转速 Speed	风量 Air Flow	风压 Static Pressure	噪音 Noise Level
				VDC	Amp	RPM	CFM	MM-H <sub>2</sub> O	dBA
CC8010L12S	Sleeve	Frameless	-A	12V	0.07	2,500±10%	9.70	1.10	24.0
CC8010L12D	2-Ball								
CC8010M12S	Sleeve	Frameless	-A	12V	0.13	3,000±10%	18.0	1.80	28.0
CC8010M12D	2-Ball								
CC8010H12S	Sleeve	Frameless	-A	12V	0.30	3,500±10%	26.6	2.50	32.0
CC8010H12D	2-Ball								

- \* 以上为额定电压下的常规参数(All readings are typical values at rated voltage)
- \* 规格如有变动不另行通知(Specifications are subjected to change without prior notice)