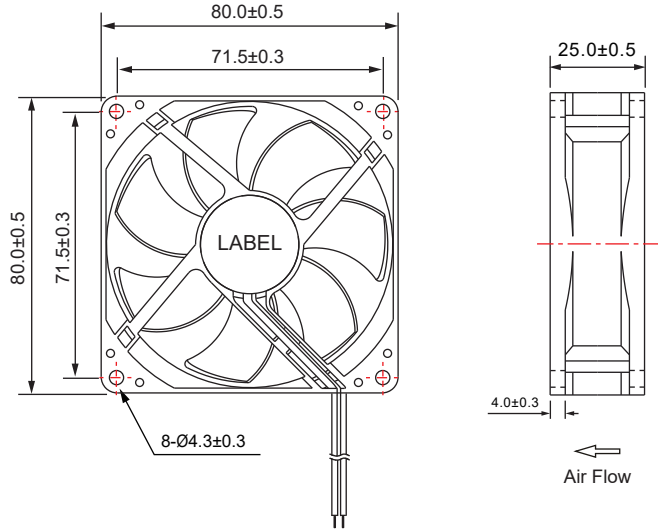


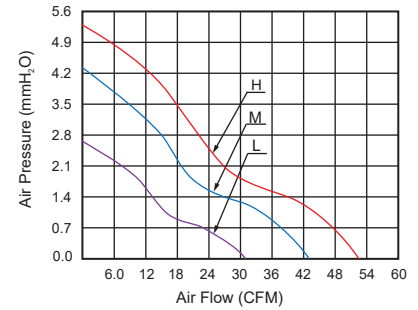
DC Axial Fan 80x80x25mm

■ 尺寸图 (DIMENSION DRAWING)



- * 轴承类型: 含油轴承, 双滚珠轴承, 液压轴承
(Bearing type: Sleeve, 2-Ball, Hydraulic)
- * 材料(Material):
框叶(Frame & Impeller): PBT
- * 引线(Lead wire):
UL2468 AWG #26 or equivalent
红色线正级 Red Wire Positive (+)
黑色线负级 Black Wire Negative (-)
- * 可选择增加风扇功能(Functions are optional)
- * 重量(Weight): 63g

■ 风压&风量曲线图 P and Q CURVE



| 型号 Model | 轴承类型 Bearing Type | 版本 Version | 电压 Rated Voltage | 电流 Current | 功率 Input Power | 转速 Speed | 风量 Air Flow | 风压 Static Pressure | 噪音 Noise Level |
|-------------|----------------------|---------------|---------------------|---------------|-------------------|-------------|----------------|-----------------------|-------------------|
| | | | VDC | Amp | Watt | RPM | CFM | MM-H ₂ O | dBA |
| CC8025L12S | Sleeve | -A | 12V | 0.06 | 0.72 | 2,500±10% | 31.60 | 2.63 | 26.5 |
| CC8025L12D | 2-Ball | | | | | | | | |
| CC8025L12SH | Hydraulic | | | | | | | | |
| CC8025M12S | Sleeve | -A | 12V | 0.11 | 1.32 | 3,000±10% | 42.80 | 4.24 | 34.5 |
| CC8025M12D | 2-Ball | | | | | | | | |
| CC8025M12SH | Hydraulic | | | | | | | | |
| CC8025H12S | Sleeve | -A | 12V | 0.14 | 1.68 | 3,500±10% | 50.60 | 5.20 | 36.5 |
| CC8025H12D | 2-Ball | | | | | | | | |
| CC8025H12SH | Hydraulic | | | | | | | | |
| CC8025L24S | Sleeve | -A | 24V | 0.05 | 1.20 | 2,500±10% | 31.60 | 2.63 | 26.5 |
| CC8025L24D | 2-Ball | | | | | | | | |
| CC8025L24SH | Hydraulic | | | | | | | | |
| CC8025M24S | Sleeve | -A | 24V | 0.06 | 1.44 | 3,000±10% | 42.80 | 4.24 | 34.5 |
| CC8025M24D | 2-Ball | | | | | | | | |
| CC8025M24SH | Hydraulic | | | | | | | | |
| CC8025H24S | Sleeve | -A | 24V | 0.12 | 2.88 | 3,500±10% | 50.60 | 5.20 | 36.5 |
| CC8025H24D | 2-Ball | | | | | | | | |
| CC8025H24SH | Hydraulic | | | | | | | | |

- * 以上为额定电压下的常规参数(All readings are typical values at rated voltage)
- * 规格如有变动不另行通知(Specifications are subjected to change without prior notice)