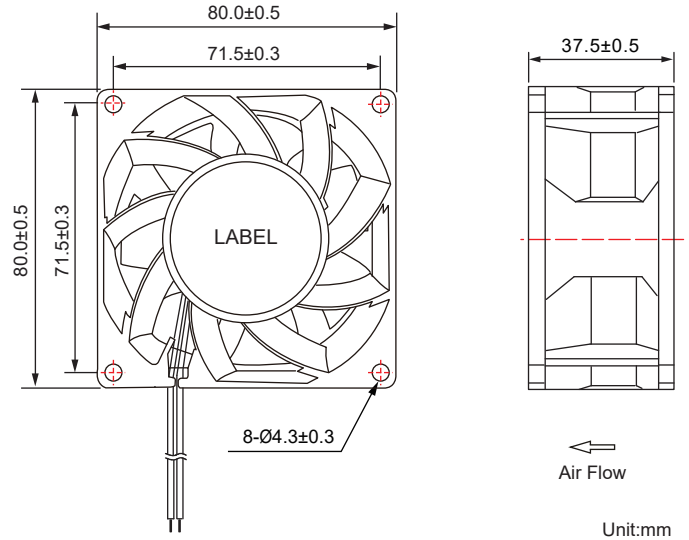


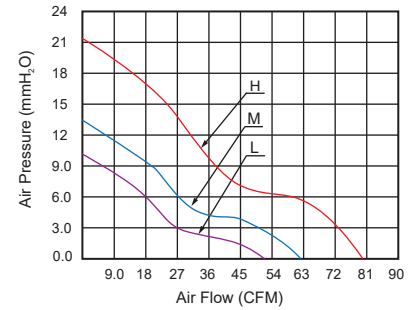
DC Axial Fan 80x80x38mm

■ 尺寸图 (DIMENSION DRAWING)



- * 轴承类型: 含油轴承, 双滚珠轴承 (Bearing type: Sleeve, 2-Ball)
- * 材料(Material):
框叶(Frame & Impeller): PBT
- * 引线(Lead wire):
UL2468 AWG #26 or equivalent
红色线正级 Red Wire Positive (+)
黑色线负级 Black Wire Negative (-)
- * 可选择增加风扇功能(Functions are optional)
- * 重量(Weight): 168g

■ 风压&风量曲线图 P and Q CURVE



| 型号 Model | 轴承类型 Bearing Type | 电压 Rated Voltage | 电压范围 Operation Voltage | 电流 Current | 功率 Input Power | 转速 Speed | 风量 Air Flow | 风压 Static Pressure | 噪音 Noise Level |
|-------------|----------------------|---------------------|---------------------------|---------------|-------------------|-------------|----------------|-----------------------|-------------------|
| | | VDC | VDC | Amp | Watt | RPM | CFM | MM-H ₂ O | dBA |
| CC8038L12S | Sleeve | 12V | 10.8~13.2 | 0.35 | 4.20 | 4,000±10% | 52.50 | 10.5 | 40.0 |
| CC8038L12D | 2-Ball | | | | | | | | |
| CC8038M12S | Sleeve | 12V | 10.8~13.2 | 0.45 | 5.40 | 5,000±10% | 62.00 | 13.1 | 52.0 |
| CC8038M12D | 2-Ball | | | | | | | | |
| CC8038H12S | Sleeve | 12V | 10.8~13.2 | 0.85 | 10.2 | 6,000±10% | 80.00 | 21.6 | 57.0 |
| CC8038H12D | 2-Ball | | | | | | | | |
| CC8038L24S | Sleeve | 24V | 21.6~26.4 | 0.22 | 5.28 | 4,000±10% | 52.50 | 10.5 | 40.0 |
| CC8038L24D | 2-Ball | | | | | | | | |
| CC8038M24S | Sleeve | 24V | 21.6~26.4 | 0.35 | 8.40 | 5,000±10% | 62.00 | 13.1 | 52.0 |
| CC8038M24D | 2-Ball | | | | | | | | |
| CC8038H24S | Sleeve | 24V | 21.6~26.4 | 0.45 | 10.8 | 6,000±10% | 80.00 | 21.6 | 57.0 |
| CC8038H24D | 2-Ball | | | | | | | | |

- * 以上为额定电压下的常规参数(All readings are typical values at rated voltage)
- * 规格如有变动不另行通知(Specifications are subjected to change without prior notice)