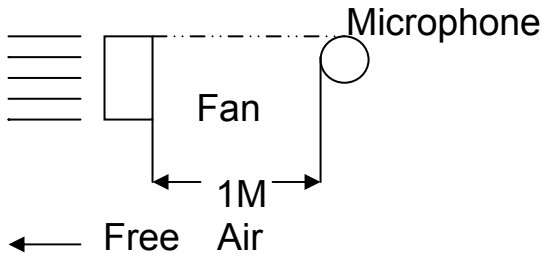


COOLCOX CORPORATION

Chuangxing Road, Dawanchong Industrial Zone, Xiaohe, Daojiao, Dongguan, Guangdong 523181, China
Tel: +86-769-8987 9757 Fax: +86-769-8838 5256 E-Mail: sales@coolcox.com

1.0 一般規格 (General Specification)

1	型號 Model No.	VC-AL5007
2	Heat Sink	Aluminium (Silver)
3	Mounting Hole	54.8MM
4	Heatsink Dimension	80MM(L) x 57MM(W) x 12.2MM(H)
5	Fan Dimension	50*50*10MM
6	電壓 Voltage	12V (10.8-13.2V)
7	起動電壓 Start voltage	6.0V (POWER ON/OFF)
8	消耗功率 Power consumption	0.96W
9	額定電流 Rated current	0.08A(Safety)
10	轉速 Speed	3,700±10%R.P.M. At 25°C, After 3~5 minutes rotating (Fan alone).
11	最大風量 Max air flow	9.1CFM
12	靜壓 Air Pressure	2.5 MM-H ₂ O
13	噪音 Noise	23Db-A 

COOLCOX CORPORATION

Chuangxing Road, Dawanchong Industrial Zone, Xiaohe, Daojiao, Dongguan, Guangdong 523181, China
Tel: +86-769-8987 9757 Fax: +86-769-8838 5256 E-Mail: sales@coolcox.com

2.0 主要材料/零件規格 (Main Materials/Parts Specification)

1	塑膠材料/扇葉、框、絕緣套 Plastic material/Blade/Frame Housing Of Insulation	a,PC b.Transparent frame & Blade 7 blades
2	軸承 (Bearing)	One Ball Bearing
3	霍尔感应 IC	TELFORD 276/277
4	印刷線路板 P.C.B	a;單層印刷線路板 Single-layer PCB
5	漆包線 ENAMELED WIRE	2UEW
6	矽鋼片 SILICON STEEL STRIP	H23
7	引線 (Lead Wire)	UL2468 28# L=85±5 MM (+)Yellow (-)White
8	端子 (Connector)	PH-2P

3.0 電性規格 (Electrical Specifically)

1	絕緣阻抗 Insulation Resistance	10MΩ/裸線與外框間測量, 500VDC/min 10MΩ/between unshackled wire and frame at 500VDC/min
2	絕緣耐壓 Dielectric Strength	5Ma Max./導線與外框間測量, 500VAC/min 5Ma Max./Measured between lead wire(+)and frame at 500VAC/min
3	預期壽命 Expected Life	40,000 小時,25°C 40,000 hrs,25°C
4	運轉方向 Rotating Direction	逆時針 Anti-Clockwise
5	極性保護 Polarity Protect	VCC 與 GND 反接時, 電路不燒毀 Circuit is protected when VCC&GND are exchanged
6	極數 No. of pole	4 極 4Poles

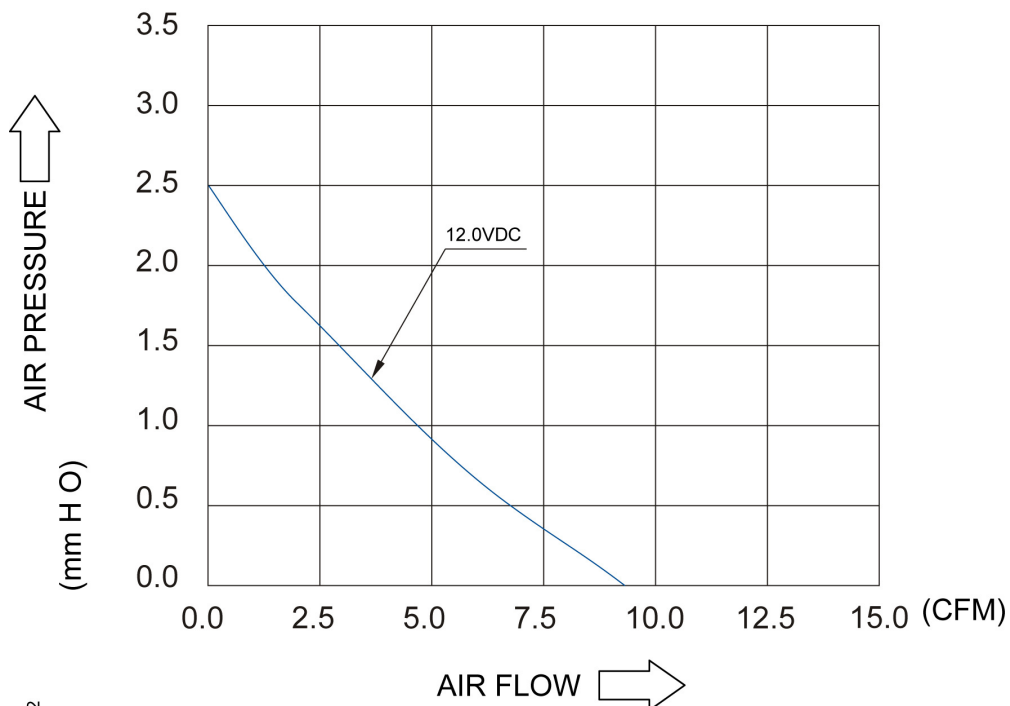
COOLCOX CORPORATION

Chuangxing Road, Dawanchong Industrial Zone, Xiaohe, Daojiao, Dongguan, Guangdong 523181, China
 Tel: +86-769-8987 9757 Fax: +86-769-8838 5256 E-Mail: sales@coolcox.com

4.0 環境測試 (Environmental Specification)

1	運轉溫/濕度範圍 Operating Temp .Range	溫度/Temperature: -10°C ~ +70°C 濕度/Humidity: 35%~95%RH
2	保存溫/濕度範圍圍 Store Temperature	溫度/Temperature: -40°C ~ +70°C 濕度/Humidity: 35%~85%RH
3	耐濕性 Humidity	電氣規格依據 MIL-STD 202F Method 103B 濕度: 95%RH 溫度: 40±2°C
4	熱沖擊 Thermal Shock	電氣規格依據 MIL-STD 202F Method 107D Per MIL-STD 202F Method 107D, Condition D
5	絕緣階段 Insulation Shock	UL: A 種 UL: Class A
6	包裝耐振動試驗 Packing Vibration Test	包裝後, XYZ 三方向施 1.1G load vibration test for 30min .No serious damaged
7	包裝耐沖擊試驗 Packing Shock Proof Test	捆包後, 高 60 公分, 1 棱角 3 邊 6 面自然落下, 無嚴重損壞. 1coner, 3edges, 6faces natural drop from 60cm high packing No serious damaged

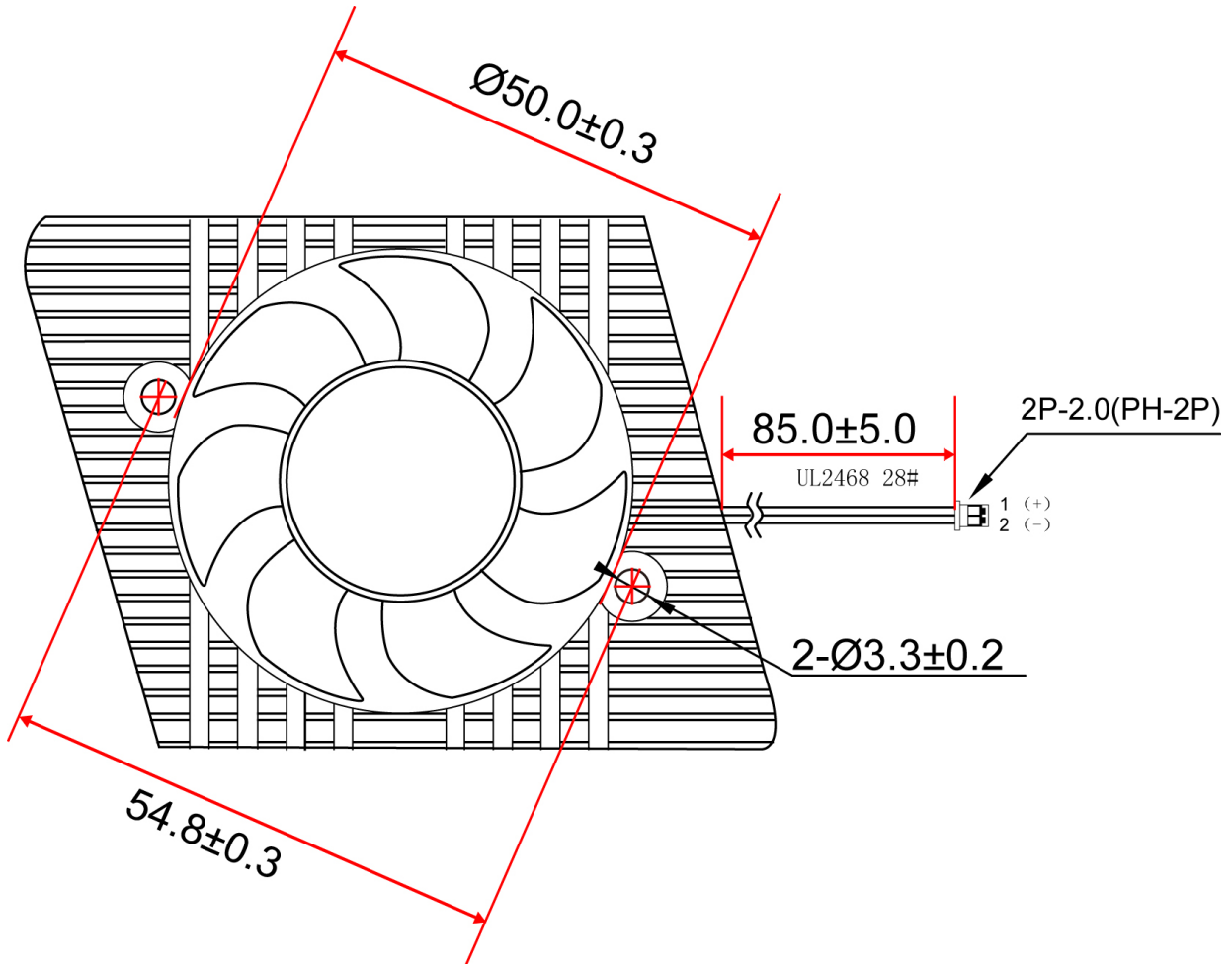
5.0 风压&风量 (Performance Curves)



COOLCOX CORPORATION

Chuangxing Road, Dawanchong Industrial Zone, Xiaohe, Daojiao, Dongguan, Guangdong 523181, China
Tel: +86-769-8987 9757 Fax: +86-769-8838 5256 E-Mail: sales@coolcox.com

6.0 產品尺寸(Dimension Drawing)



COOLCOX CORPORATION

Chuangxing Road, Dawanchong Industrial Zone, Xiaohe, Daojiao, Dongguan, Guangdong 523181, China
Tel: +86-769-8987 9757 Fax: +86-769-8838 5256 E-Mail: sales@coolcox.com

