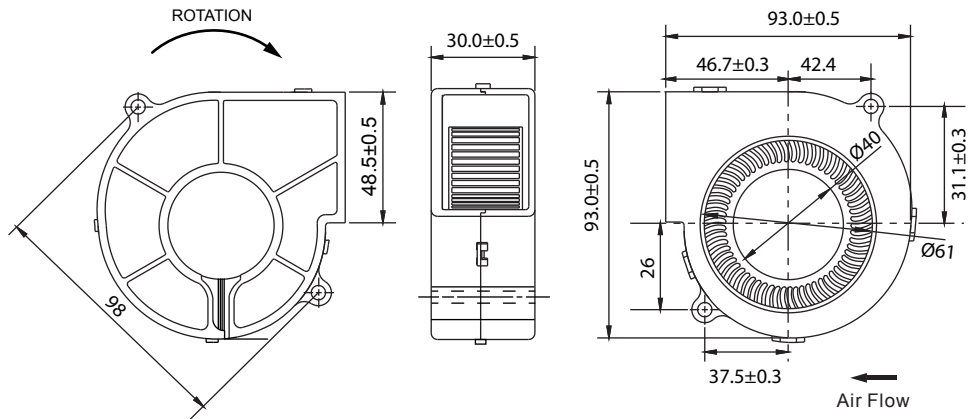


Unit: mm

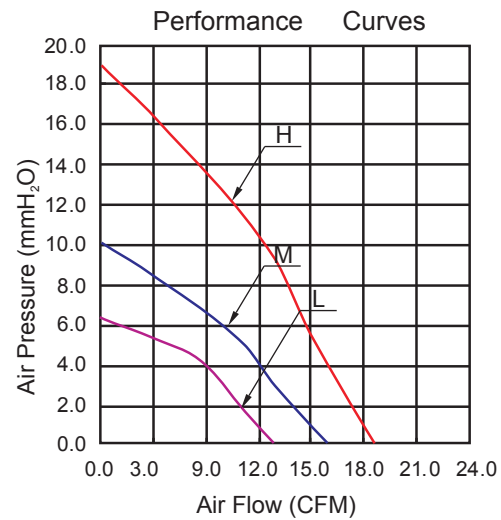


General Specification :

- Lead Wire: UL Type
(+)Red (-)Black
- Operation Temperature :
Temperature: -10°C~+70°C
Humidity: 35%~85%RH
- Store Temperature :
Temperature: -40°C~+70°C
Humidity: 35%~85%RH

Motor Protection :

- Impedance Protected
- Reverse Polarity Protected



Item No.	Bearing System	Rated Voltage (V DC)	Rated Current (AMP)	Input Power (Watt)	Fan Speed (RPM)	Air Flow (CFM)	Static Pressure (MM-H2O)	Noise Level (dBA)	Dimension (mm)
BF9330L12S BF9330L12D	Sleeve 2-Ball	12V	0.24	2.88	2,000 ± 10%	12.70	6.30	37	93 X 93 X 30
BF9330M12S BF9330M12D	Sleeve 2-Ball	12V	0.30	3.60	2,500 ± 10%	15.80	10.00	42	93 X 93 X 30
BF9330H12S BF9330H12D	Sleeve 2-Ball	12V	0.36	4.32	3,000 ± 10%	19.00	18.80	46	93 X 93 X 30
BF9330L24S BF9330L24D	Sleeve 2-Ball	24V	0.12	2.88	2,000± 10%	12.70	6.30	37	93 X 93 X 30
BF9330M24S BF9330M24D	Sleeve 2-Ball	24V	0.15	3.60	2,500 ± 10%	15.80	10.00	42	93 X 93 X 30
BF9330H24S BF9330H24D	Sleeve 2-Ball	24V	0.18	4.32	3,000 ± 10%	19.00	18.80	46	93 X 93 X 30

Notes: ©All readings are typical values at rated voltage.
©Specifications are subjected to change without prior notice.